

E4 Pro Flangeless Trims (Emergency)

1.0

VISUAL COMFORT & Co.

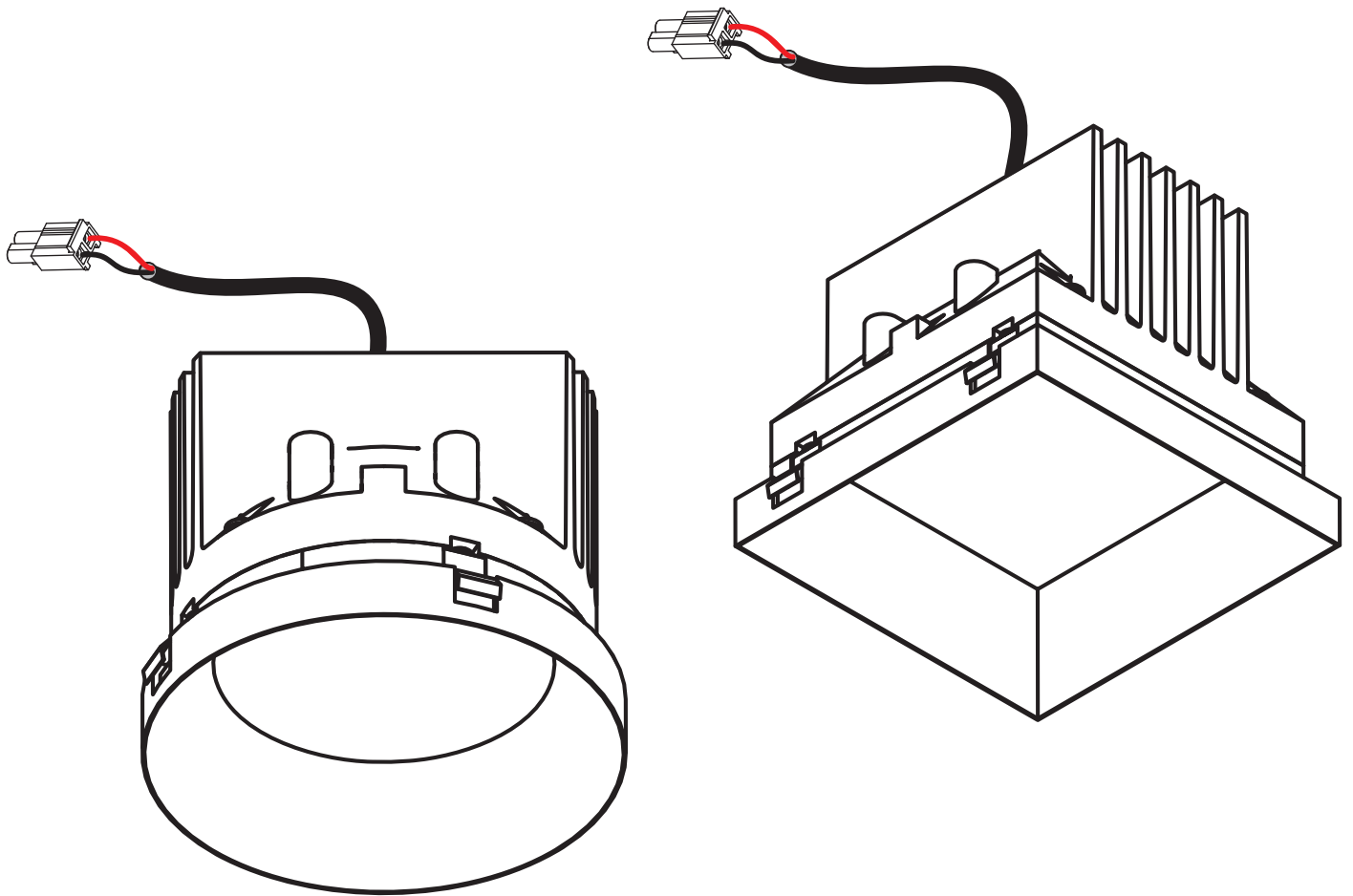
ARCHITECTURAL COLLECTION

FLANGELESS TRIMS

GENERAL PRODUCT INFORMATION:

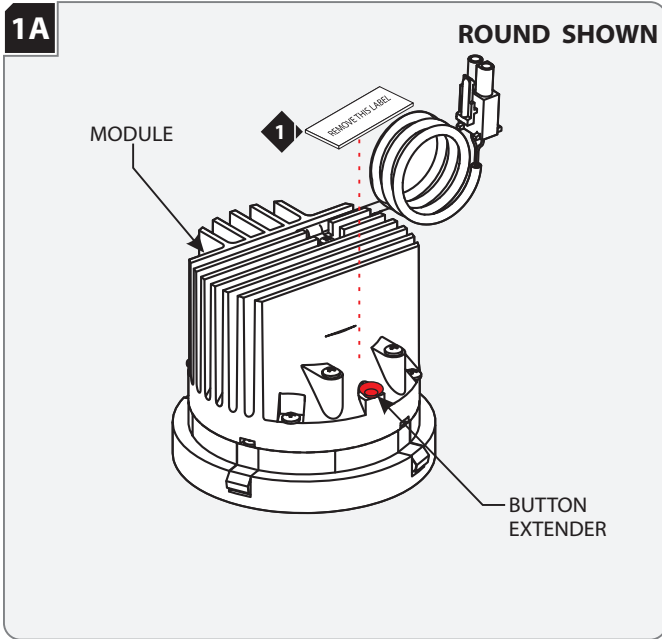
This product is suitable for indoor locations.

This instruction shows a typical installation.

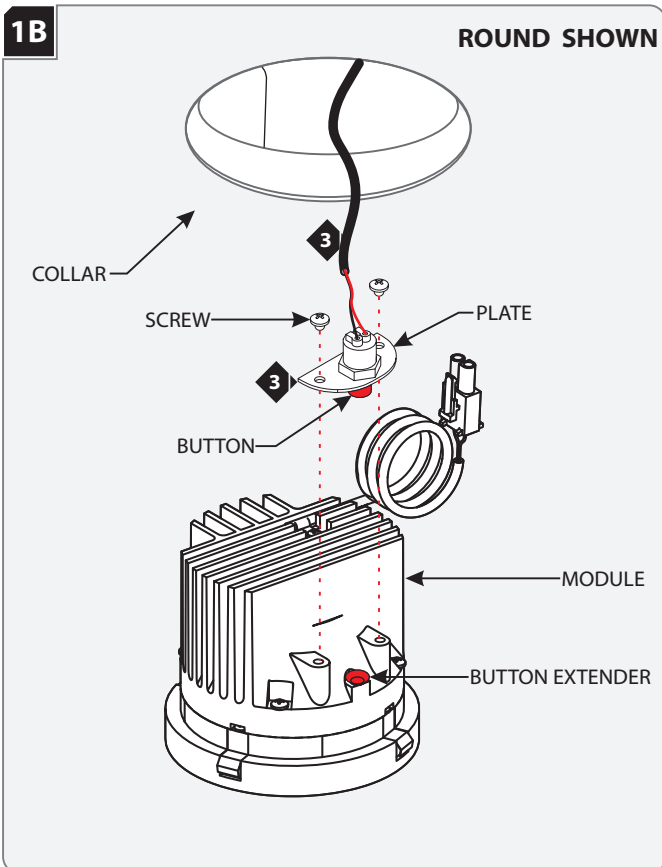


SAVE THESE INSTRUCTIONS!

Install the Emergency Plate Assembly

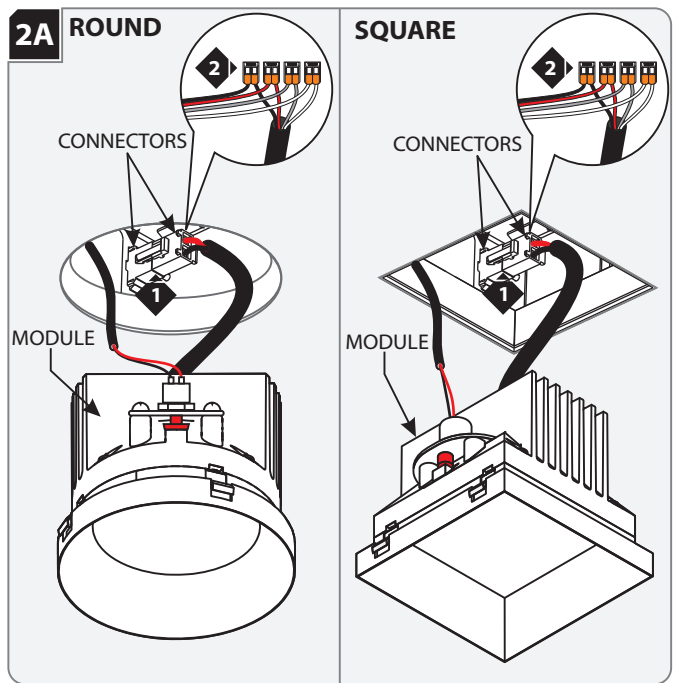


- 1** Remove the label on the button extender side.

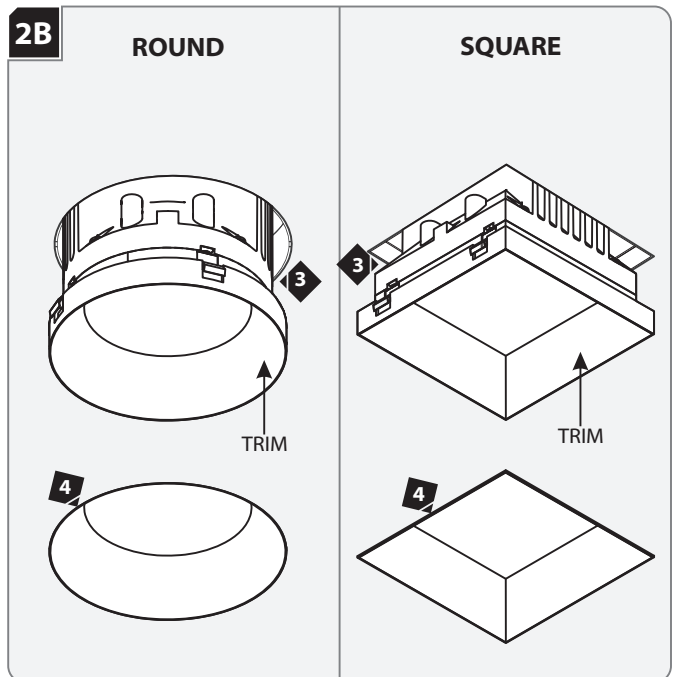


- 2** Remove the two screws located on the module.
- 3** Bring the module close to the Emergency Plate Assembly hanging out of collar in the ceiling, place the plate onto the module and secure in place by reinstalling the two screws. **Make sure the button sits properly just above the button extender.**

Install the Module and Trim



- 1** Connect the wall wash module to the fixture using the connectors. **Skip to step 3**
- 2** For Tunable White Versions, connect each module wire to the corresponding Wago connector.



- 3** Align the trim with the inner edge of the plaster plate.
- 4** Push the trim into the plaster plate until it snaps flush to the ceiling.